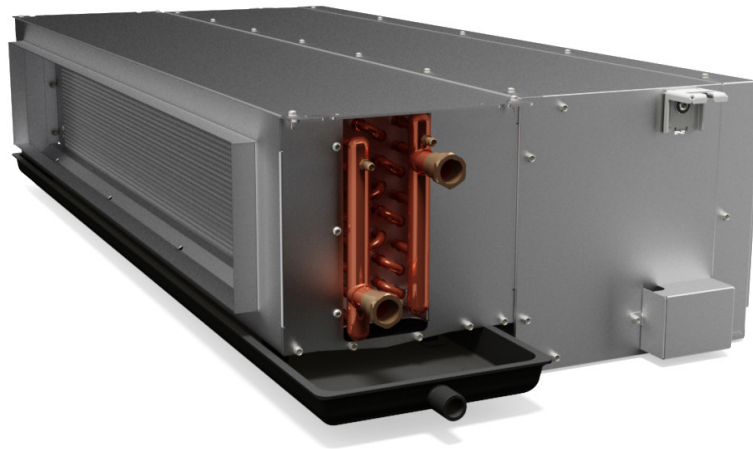


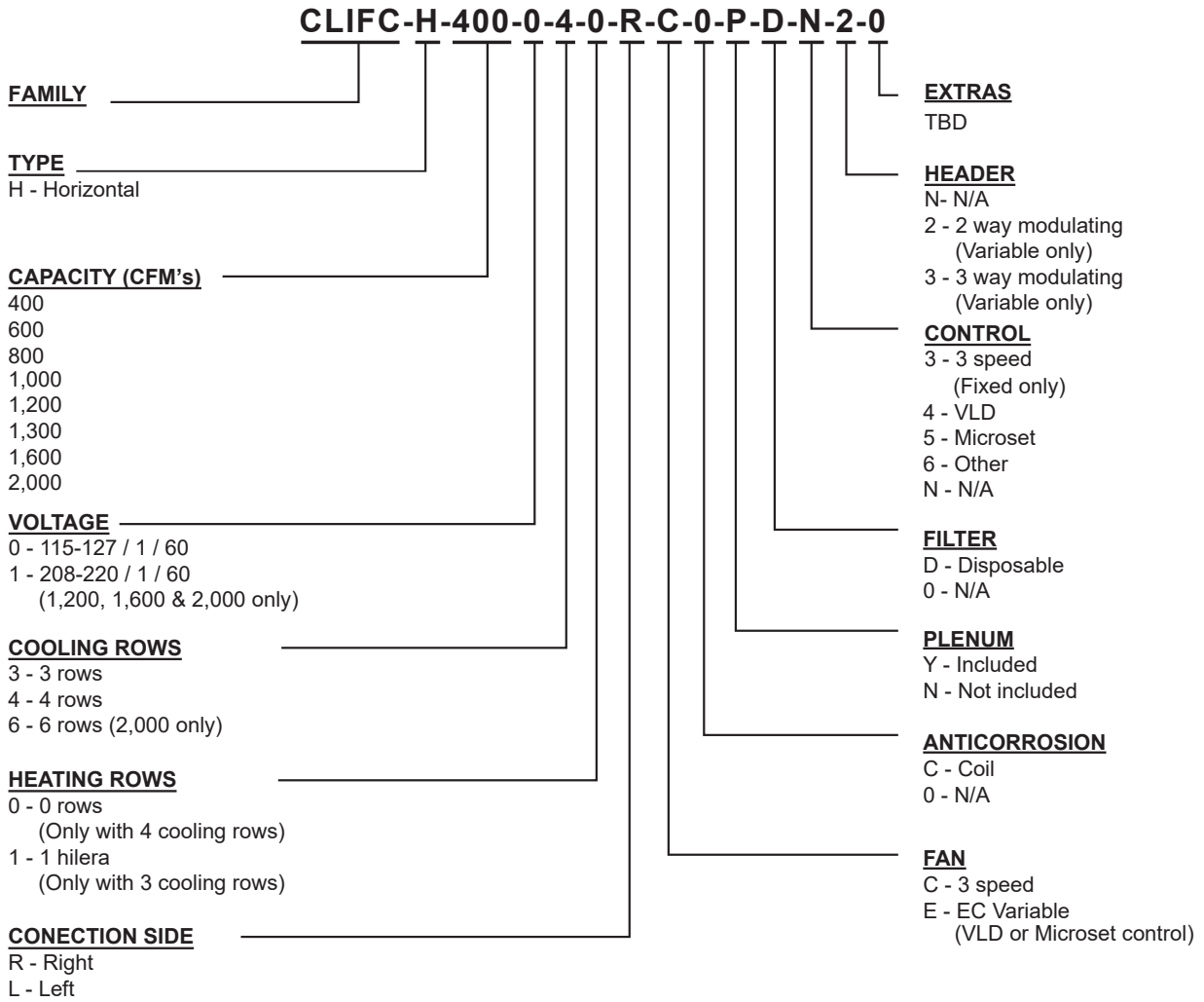
Parts Manual

PM

Group: F&C
Part Number: PM CLIFC
Date: 14 March 2023

CLIFC Series **Fixed And Variable Horizontal** **400, 600, 800, 1000, 1200, 1300, 1600,** **2000 CFM**



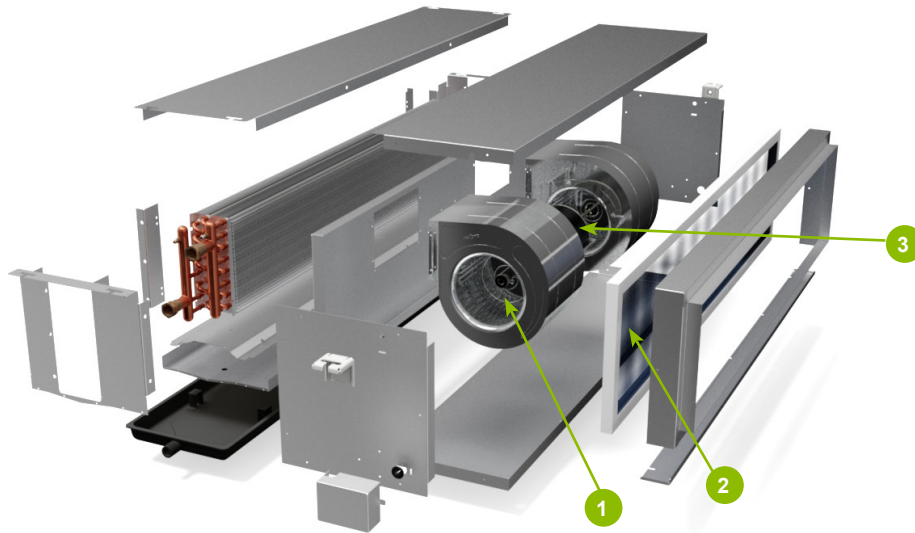


Manufactured in an ISO 9001 certified facility



©2022 Clima Flex . Illustration and data cover the Clima Flex product at the time of publication and we reserve the right to make changes in design and construction at any time without notice.

SERVICE PARTS



F&C FOUR SEASON VARIABLE										
COMPONENT	QTY	UM	PART NUMBER							
			CAPACITY							
			400	600	800	1000	1200	1600	2000	
1	Turbine	1	PC	N/A	N/A	3011861 3011862	N/A	N/A	N/A	N/A
2	Filter	1	PC	1034334	1034333	1034332	1029627 (2 pcs)	1029627 (2 pcs)	1031698 (2 pcs)	1031698 (2 pcs)
3	Fan	1	PC	3000582	3000583	3000583	3013649 (2 pcs)	3013649 (2 pcs)	3003890 (2 pcs)	3003890 (2 pcs)

F&C FOUR SEASON FIXED										
COMPONENT	QTY	UM	PART NUMBER							
			CAPACITY							
			400	600	800	1000	1300	1600	2000	
1	Turbine	1	PC	3011855 3011856	3011857 3011858	3011859 3011860	3011861 3011862	3011863 3011864	1031204 (2 pcs)	1031204 (2 pcs)
2	Filter	1	PC	1034334	1034333	1034332	1034331	1025949	1031698 (2 pcs)	1031698 (2 pcs)
3	Fan	1	PC	1025973	1025974	1025975	1025976	1025977	1033654 (2 pcs)	1033654 (2 pcs)

