

**CLIM VS Series
Air-Cooled Scroll Compressor Chiller
Water Generator Unit**

Model

7.5 to 62.5 TR

Refrigerant HFC-410A

50/60 Hz



SAFETY WARNING.....3
GENERAL DESCRIPTION.....4
FEATURES / BENEFITS.....5
TECHNICAL INFORMATION.....7
DESIGN PARAMETERS.....9
ELECTRICAL INFORMATION.....13

Manufactured in an ISO 9001 certified facility



©2023 Clima Flex. Illustration and data cover the Clima Flex product at the time of publication and we reserve the right to make changes in design and construction at any time without notice.

SAFETY WARNING

This manual provides information on the technical data of the Clima Flex CLIM VS series.

NOTES: Installation and maintenance must be performed only by qualified personnel who are familiar with local codes and regulations and who have experience with this type of equipment.

⚠ DANGER ⚠

LOCK OUT/LABEL all power sources before starting, pressurizing, depressurizing or shutting down the chiller.

Disconnect electrical power before servicing equipment. More than one disconnection may be required to deenergize the unit. Failure to follow this warning to the letter can result in serious injury or death. Be sure to read and understand the installation, operating and service instructions in this manual.

⚠ WARNING ⚠

Electric shock danger. Improper handling of this equipment can cause personal injury or equipment damage. This equipment must be properly grounded. Control panel connections and maintenance should be performed only by personnel knowledgeable in the operation of the equipment being controlled. Disconnect electrical power before servicing equipment.

⚠ CAUTION ⚠

Static sensitive components. Static discharge during handling of the electronic circuit board can cause damage to components. Use a static strap before performing any service work. Never unplug any cables, circuit board terminal blocks, or power plugs while power is applied to the panel.

⚠ CAUTION ⚠

When moving refrigerant to/from the cooler using an auxiliary tank, a grounding strap should be used. An electrical charge builds up when halo-carbon refrigerant travels in a rubber hose. A grounding strap should be used between the auxiliary refrigerant tank and the cooler end sheet (ground to ground), which will safely carry the charge to ground. Failure to follow this procedure may result in damage to sensitive electronic components.

⚠ WARNING ⚠

If refrigerant leaks from the unit, there is a potential choking danger as the refrigerant will displace air in the immediate area. Be sure to follow all applicable published industry-related standards and local, state, and federal statutes, regulations, and codes if refrigerant is produced. Avoid exposing refrigerant to an open flame or other ignition source.

⚠ WARNING ⚠

Polyolester oil, commonly referred to as POE oil, is a synthetic oil used in many refrigeration systems and may be present in this Clima Flex product. POE oil, if it ever comes in contact with PCV/CPVC, will coat the inside wall of the PVC/CPVC pipe and cause environmental stress fractures. Although there is no PCV/CPCV pipe in this product, keep this in mind when selecting piping materials for your application, as system failure and property damage could occur. Consult the pipe manufacturer's recommendations to determine appropriate pipe applications.

DANGER IDENTIFICATION INFORMATION

⚠ DANGER ⚠

Danger indicates a dangerous situation which, if not avoided, will result in death or serious injury.

⚠ WARNING ⚠

Warning indicates a potentially dangerous situation which may result in property damage, personal injury or death if not avoided

⚠ CAUTION ⚠

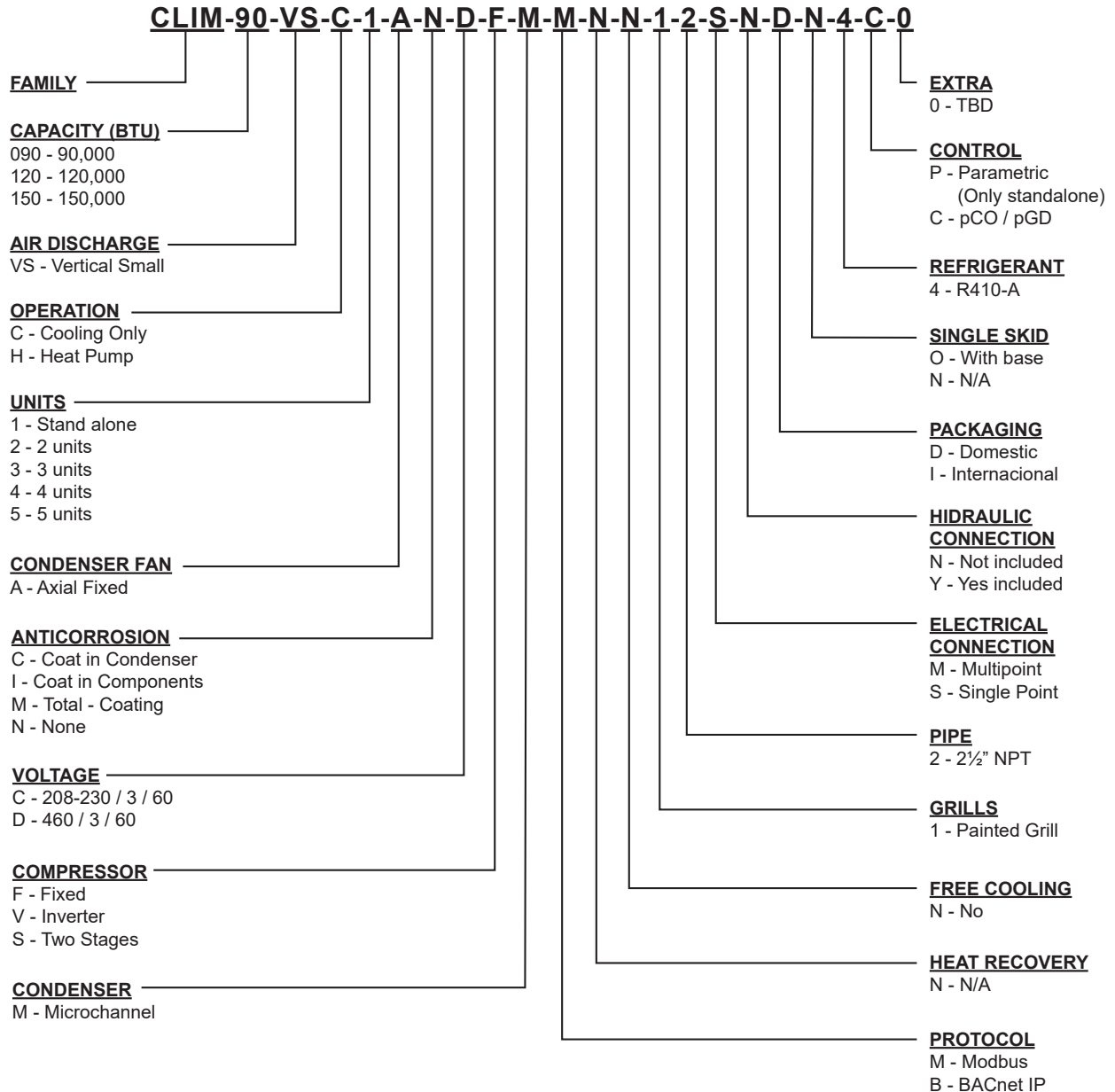
Caution indicates a potentially dangerous situation which may result in minor injury or equipment damage if not avoided.

NOTES: Indicate important details or clarifying statements for the information presented.

Our units are built with design and control in mind, so we use specialized technical control software. Some of our special features are our own piping and wiring, Scroll compressors, new generation evaporators, air cooled condensers, optional hydraulic components, and various safety protections.

Our units are environmentally friendly and operate with R410A refrigerant.

NOMENCLATURE



FEATURES / BENEFITS

EFFICIENCY

Our units are designed to meet the needs of any project. Our intelligent process controllers and smart temperature sensors provide maximum performance and energy savings.

The system automatically modifies the operating mode to maintain optimum system conditions, making it very easy to operate.

All temperature sensors are calibrated and adjusted at the factory prior to shipment. Start-up should be performed by a qualified technician, during initial start-up the unit will be adjusted to local conditions and all operating points will be checked.

Once the unit has been placed in place, operation is a matter of pressing the start/stop button until it is certain that the unit is operating properly, after which the unit will operate automatically, turning itself on according to the demand of the refrigeration system and local conditions.

FLEXIBILITY

The units feature intelligent processors and sensors that automatically control the temperature at optimum operating conditions.

The units were designed to be coupled with each other and combined to meet different load variations (Tandem Installation). Up to 10 modules can be combined; these combinations can be made with Water Chiller Units of different capacities ranging from 25 to 250 tons. Capacities vary depending on the number and type of units

SAFETY

All frames are manufactured from galvanized sheet steel, coated with electrostatic baked-on paint to ensure long durability and freedom from corrosion under all weather conditions, such as direct sunlight, rain and wind.

All units are designed to fit into a small installation space, thus eliminating large installation areas. We use only high quality components to ensure durability and safety even in harsh environmental conditions.

NOTE: For applications in tropical climates, our units are coated inside and out with corrosion protection (over-ordering).

Our products have AHRI efficiency certifications and ETL safety certifications, in addition to meeting all industry safety standards. We are members of the American Society of Heating, Refrigerating and Air-Conditioning Engineers (ASHRAE). To show our commitment to our customers and stakeholders; our equipment comes with a 1 year major warranty after start-up.

Our units use R410A refrigerant, which is harmless to the ozone layer and is non-toxic and non-flammable, even in case of leakage.

Finally, the efficiency of the heat exchanger and its modular design allow for quick and easy installation.

DESIGN

Research conducted by the Engineering Department has resulted in units with high design efficiency and optimum performance. The selection of the main components, our quality and control system guarantee high performance and safety.

All major components are rigorously tested and qualified before installation. Each designed unit has undergone long hours of rigorous testing to ensure the safety, durability and quality of the entire system.

COMMUNICATION

The units can be controlled in tandem mode and/or can be connected to a central control unit. Operation and user access will be through a 7" color touch screen.

Our units can be managed through different communication protocols; such as Modbus and BACnet, the most commonly used protocols in the Air Conditioning industry.

Our units keep track of all programmable variables in real time, such as performance monitoring, refrigeration cycle specific alarms and electrical system.

The control and monitoring system ensures the correct operation of the unit by monitoring in real time the condition of the major components (high or low refrigerant pressure, compressor and fan motor conditions, etc.).

In case of failure, the event will be recorded for later analysis, facilitating the localization of a possible failure and its solution.

INSTALLATION

The units have been designed for easy installation. Slotted connections provide easy installation of the water piping, which are located on both sides of the unit, so that the piping can be connected to either side of the unit.

The individual assembly of the units reduces installation cost, the units have a rigid base that balances the weight of the unit and allows for easy installation

MAINTENANCE

The simplicity in the design of each unit allows for maximum ease of maintenance. All major components are available to maintenance personnel by simply opening the service panel.

If an emergency shutdown occurs, the control section will indicate in detail the cause of the failure, helping to facilitate and accelerate troubleshooting.

TESTING

Each unit is pressure and vacuum tested and then charged with the refrigerant required for proper operation based on the customer's installation conditions.

The units are evaluated at full load operation with water flow, heat load and line voltage placed at actual operating conditions.

NOTE: The warranty policy requires that commissioning be performed by qualified personnel authorized by the company.

INSITUM® CORROSION PROTECTION

Spray for coating hvac/r products

Coating is a flexible, water-based, water-reducible, synthetic polymer corrosion coating designed specifically for the protection of HVAC/R coils and components. Insitu® Spray Applied Coating contains ES2 (embedded stainless steel pigment) technology, an anti-corrosion coating specifically designed for the protection of coils mounted in corrosive areas.

HVAC/R coils, components and enclosures will have a permanent water-based synthetic coating with ES2 pigment applied to all

areas of the coating surface with no bridging of material between fins. Therefore, ES2 pigments are suitable for even the most corrosive environments and will maintain their appearance after many years of exposure. UV degradation ES2 pigments form a multilayer structure throughout the paint film.

This creates a barrier layer that reflects sunlight away from the paint film preventing UV rays from penetrating. As a result, UV degradation of individual polymer molecules is eliminated, film integrity is maintained and the pigment particles remain well anchored to the substrate.

The resulting smooth, hard finish prevents dirt build-up. The multilayer structure of ES2 pigments delays the passage of water molecules into the film and acts as an effective moisture barrier

Ideal applications for Insitu® spray-applied coatings.

- Mini-splits
- Packaged enclosures
- Condensing units
- Modular air handlers
- Air-cooled chillers
- Indoor and outdoor HVAC cabinets and copper tubing
- Heat exchange coils (water, condenser, evaporator, DX)



TECHNICAL INFORMATION

Figure 1. CLIM VS 7.5 TR air-cooled unit



Selection Conditions	
Head (ft)	0
Condenser water inlet temperature (°F)	95°
Water injection temperature (°F)	44°

Cooling mode	
Rated capacity (BTU/hr)	90,000
Cooling capacity (BTU/hr)	82,320
EER (BTU/W*hr)	6.61

Electrical	
Power supply (V,Hz)	208-230/3/60
MOP (A)	69.83
MCA (A)	42
Total amperage (A)	33.59
Total consumption (kW)	12.44

Standard features

- Limited Warranty Clima Flex units
- 1 year warranty on functional parts of the equipment

Unit Data	
Refrigerant Type	R-410A (Charged)
Refrigerant charge (lbs)	6.16
Noise Level (Db)	68.0
Net Weight (lbs)	584
Operating Weight (lbs)	604
Controller	Digital (pCO)
Total pressure drop	31.5
Condenser total pressure drop (ft WG)	0.0330 (0.0986)

Dimensions	
Length (in)	31.7500
Depth (in)	30.5
Height (in)	70.0000
Water inlet and outlet diameter (in)	2.5000

Compressor	
Type	Fixed
Quantity	1
Consumption (kW)	11.09
Amperage (A)	24.11

Evaporator	
Type	Stainless steel plates
Water flow (GPM)	16.46
Water inlet temperature (°F)	54°
Water outlet temperature (°F)	44°

Condenser	
Type	Microchannel
Airflow (CFM)	6,000
Area (ft²)	8.61

Fan	
Type	Axial
Pressure drop (in, H2O)	0.400
Air operating range (°F)	55.01/120.0
Consumption (kW)	1.350
Amperage (A)	4.60

NOTE: The document is subject to change without notice.

NOTE: For more technical information go to the "Software Selection" page. <http://www.clima-flex.com/chillers/index.php>

Flowcon Balancing Valve

Figure 2. Automatic Balancing Valve



The E-JUST cartridge can be externally adjusted to one or 41 flow rates even when the system is in operation.

The cartridge is tamper-proof, as the adjustment is made by means of a special flowcon key. In addition, the adjustment can be sealed with a top cap.

Technical Data (Valve)

Working Pressure/Temperature:	2500 kPa / -30° C to +100° C
Material	
Cartridge	Polyoxymethylene
Diaphragm	Acrylonitrile-butadiene-rubber hydrogenated or EPDM according to type
Body	ASTM Forged Brass CuZn39Pb2
O-Rings	EPDM
Body Sockets	Female ISO
Flow Range	0.0081 l/s - 1.43 l/s (Standard Compound)
	0.0278 l/s - 1.39 l/s (E-JUST)

General Description

Flowcon automatic balancing valves are designed to balance heating and air conditioning terminal units by providing a constant flow rate with the added feature of being adjustable.

With these automatic balancing valves, flow can be controlled with two different cartridges: an internal composite cartridge or an externally adjustable E-JUST cartridge. Both types of cartridges maintain constant flow, even when system pressure conditions change.

NOTES: For further information, please consult <http://www.flowcon.com/>

		A/AB DN15/20/25 ABV DN15/20/25				AB DN25/32 ABV DN25/32/40				AB DN40/50
Static Pressure	(kPa)	2500								
	(psi)	360								
Temperature Ranges (average/ambient)	(°C)	-20 to +120 / 0 to +50								
	(°F)	-4 to +248 / +32 to +122								
Pressure drop information		NOTE: For pump hopper calculations, add the minimum pressure differential for the index circuit for pressure losses from other components (i.e. coil valves, etc.).								
Valve Body	(Kv-value)	3.1				12.5				23
	(Cv-value)	3.6				14.5				30.4
Stainless Steel Insert		F3601xx	F3602xx	F3604xx	F3608xx	F3611xx	F3612xx	F3614xx	F3618xx	
Insert Size	(mm)	20	20	20	20	40				
	(inch)	3/4"	3/4"	3/4"	3/4"	1 1/2"	1 1/2"	1 1/2"	1 1/2"	
Pressure	(kPaD)	10 ± 95	22 ± 210	40 ± 390	90 ± 880	10 ± 95	22 ± 210	40 ± 390	90 ± 880	N/A
Difference	(psid)	1 ± 14	2 ± 32	4 ± 57	8 ± 128	1 ± 14	2 ± 32	4 ± 57	8 ± 128	
Flow Rate	(l/sec)	0.0210 ± 0.315	0.0347 ± 0.505	0.0473 ± 0.631	0.0694 ± 1.01	189.0 ± 0.925	0.284 ± 1.39	0.379 ± 1.85	0.568 ± 2.78	
	(GPM)	0.333 ± 5.00	0.550 ± 8.00	0.750 ± 10.0	1.10 ± 16.0	3.00 ± 14.7	4.50 ± 22.0	6.00 ± 29.3	9.00 ± 44.0	
Standard Composite Insert		ABV1.Y.x grey/red/blue/black/green		ABV1.G.x grey/red/blue/black/green		ABV2.X.x red/white	ABV2.C.x red/white	ABV2.D.x red/white		
Insert Size	(mm)	20		20		40	40	40		
	(inch)	3/4"		3/4"		1 1/2"	1 1/2"	1 1/2"		N/A
Pressure	(kPaD)	15 ± 130		30 ± 400		15 ± 130	22 ± 300	30 ± 400		
Difference	(psid)	2.2 ± 18.9		4.4 ± 58		2.2 ± 18.9	3.2 ± 43.5	4.4 ± 58		
Flow Rate	(l/sec)	0.0081 ± 0.273		0.0117 ± 0.408		0.17 ± 0.85	0.23 ± 1.21	0.27 ± 1.43		
	(GPM)	0.128 ± 4.33		0.185 ± 6.46		2.69 ± 13.5	3.65 ± 19.2	4.28 ± 22.7		
Inserto E-JUST		E-JUST1.Y.x black/green		E-JUST1.Y.R red	E-JUST1.G.R red	E-JUST1.G.x black/green	E-JUST2.Y.G green		E-JUST3.G.B negro	
Insert Size	(mm)	20		20	20	20	40		50	
	(inch)	3/4"		3/4"	3/4"	3/4"	1 1/2"		2"	
Pressure	(kPaD)	17 ± 210		17 ± 200	30 ± 400	35 ± 400	17 ± 400		20 ± 400	
Difference	(psid)	2.5 ± 30		2.5 ± 29	4.4 ± 58	5.1 ± 58	2.5 ± 58		2.9 ± 58	
Flow Rate	(l/sec)	0.0278 ± 0.169		0.0767 ± 0.229	0.113 ± 0.352	0.0383 ± 0.249	0.149 ± 1.62		0.883 ± 4.48	
	(GPM)	0.44 ± 2.68		1.22 ± 3.60	1.79 ± 5.57	0.67 ± 3.95	2.36 ± 25.7		14.0 ± 70.9	

DESIGN PARAMETERS

Figure 3. 7.5 TR DIMENSIONAL CONFIGURATION

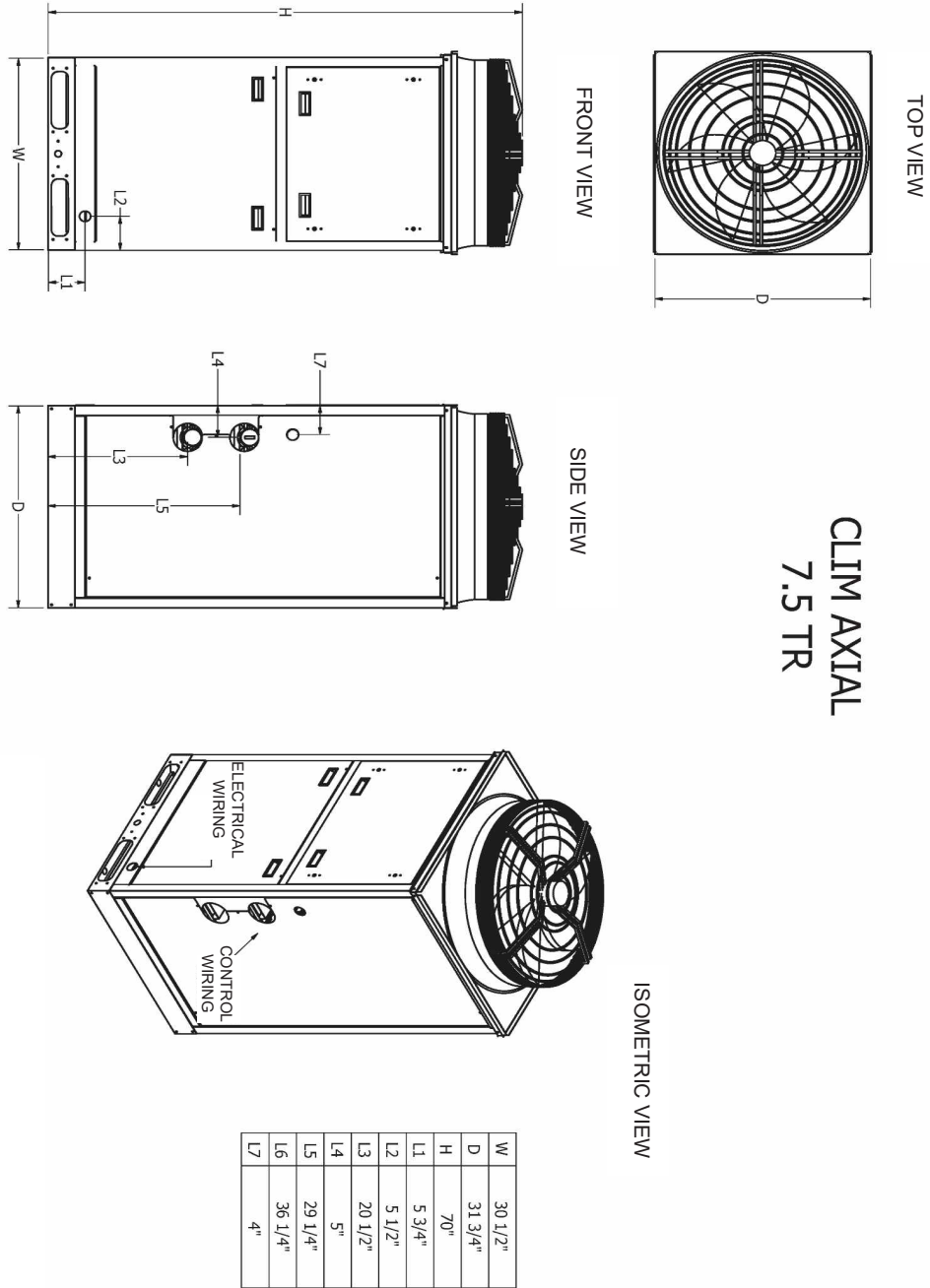
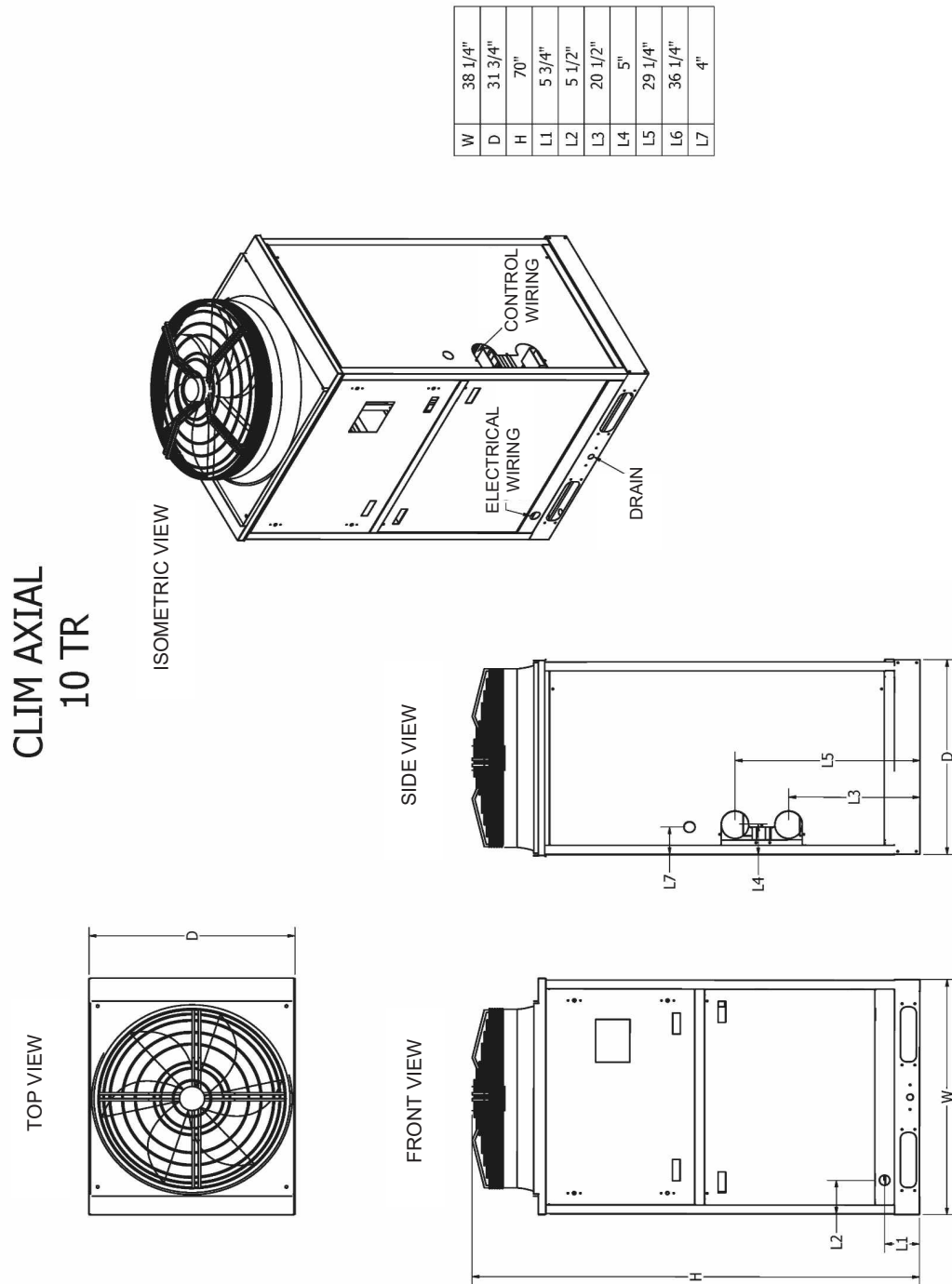
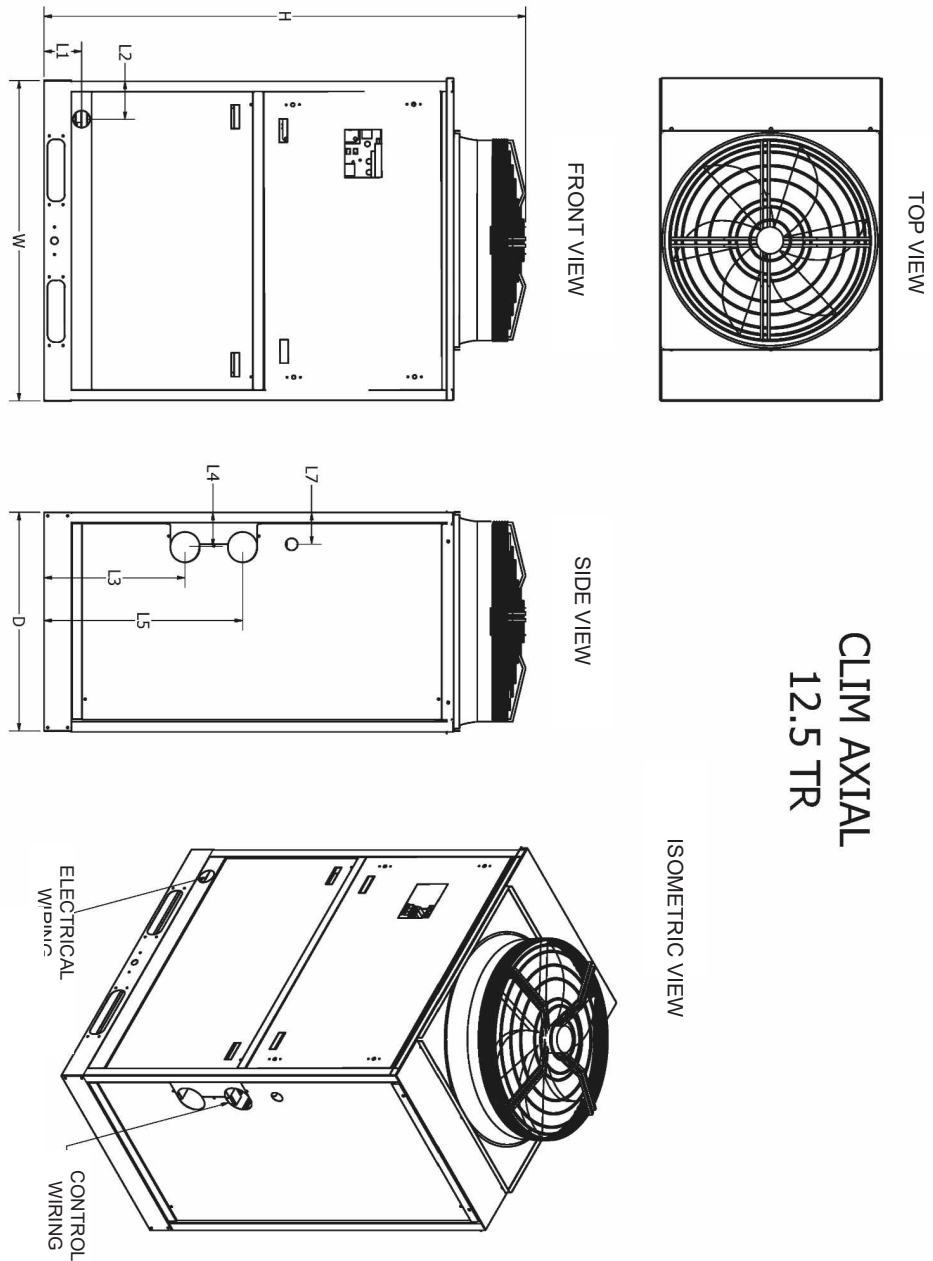


Figure 4. 10 TR DIMENSIONAL CONFIGURATION



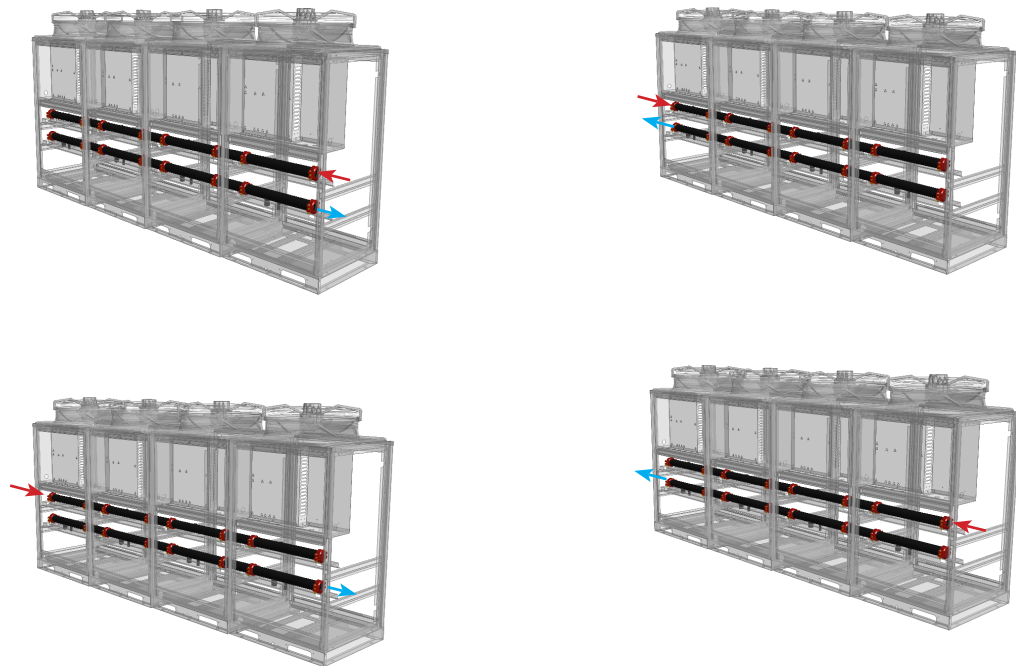
DESIGN PARAMETERS

Figure 5. 12.5 TR DIMENSIONAL CONFIGURATION



W	46 3/4"
D	31 3/4"
H	70"
L1	5 3/4"
L2	5 1/2"
L3	20 1/2"
L4	5"
L5	29 1/4"
L6	36 1/4"
L7	4"

Figure 6. HYDRAULIC CONFIGURATION OPTIONS FOR A 7.5-62.5 TR UNIT (representative image)



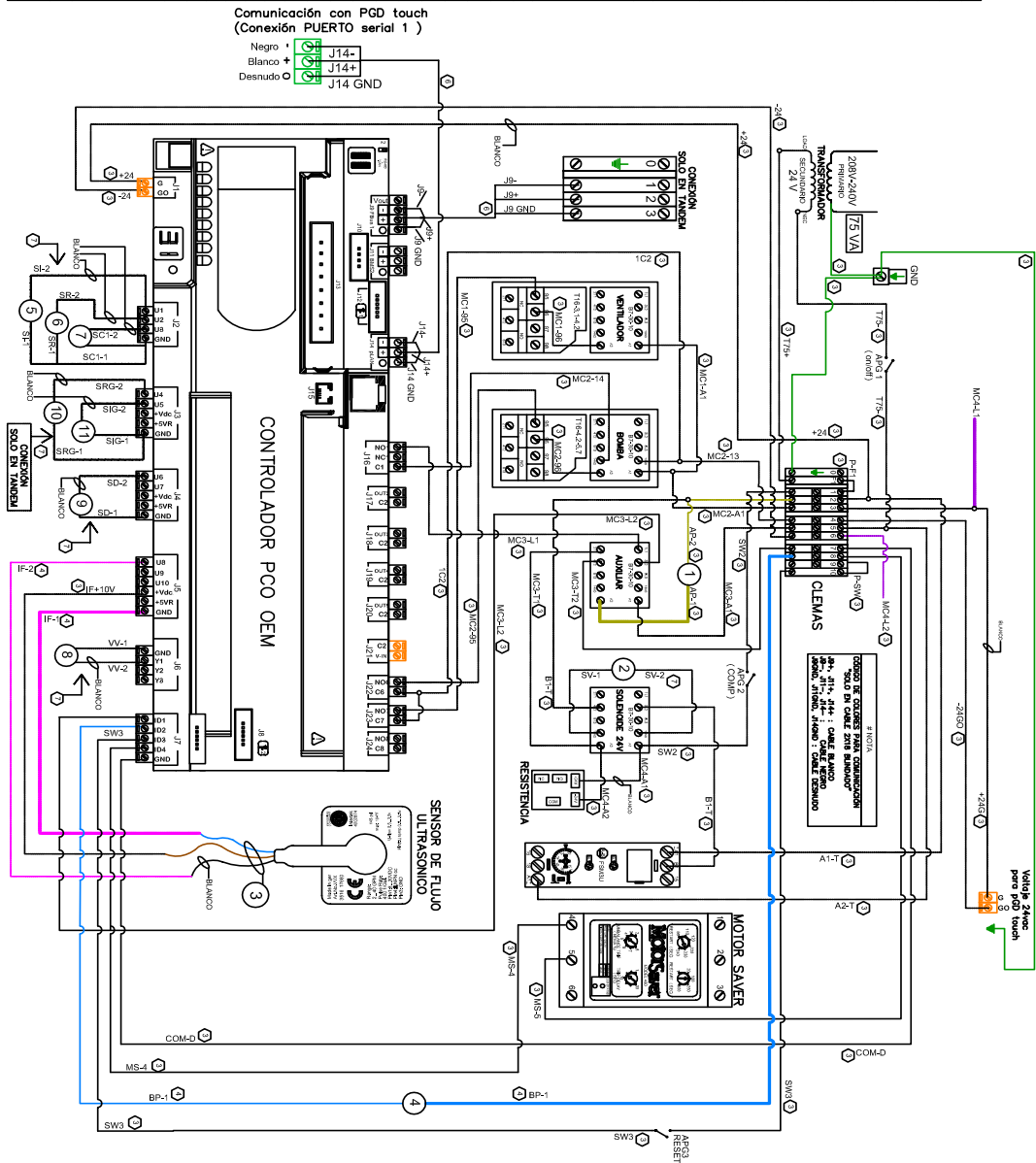
ELECTRICAL INFORMATION

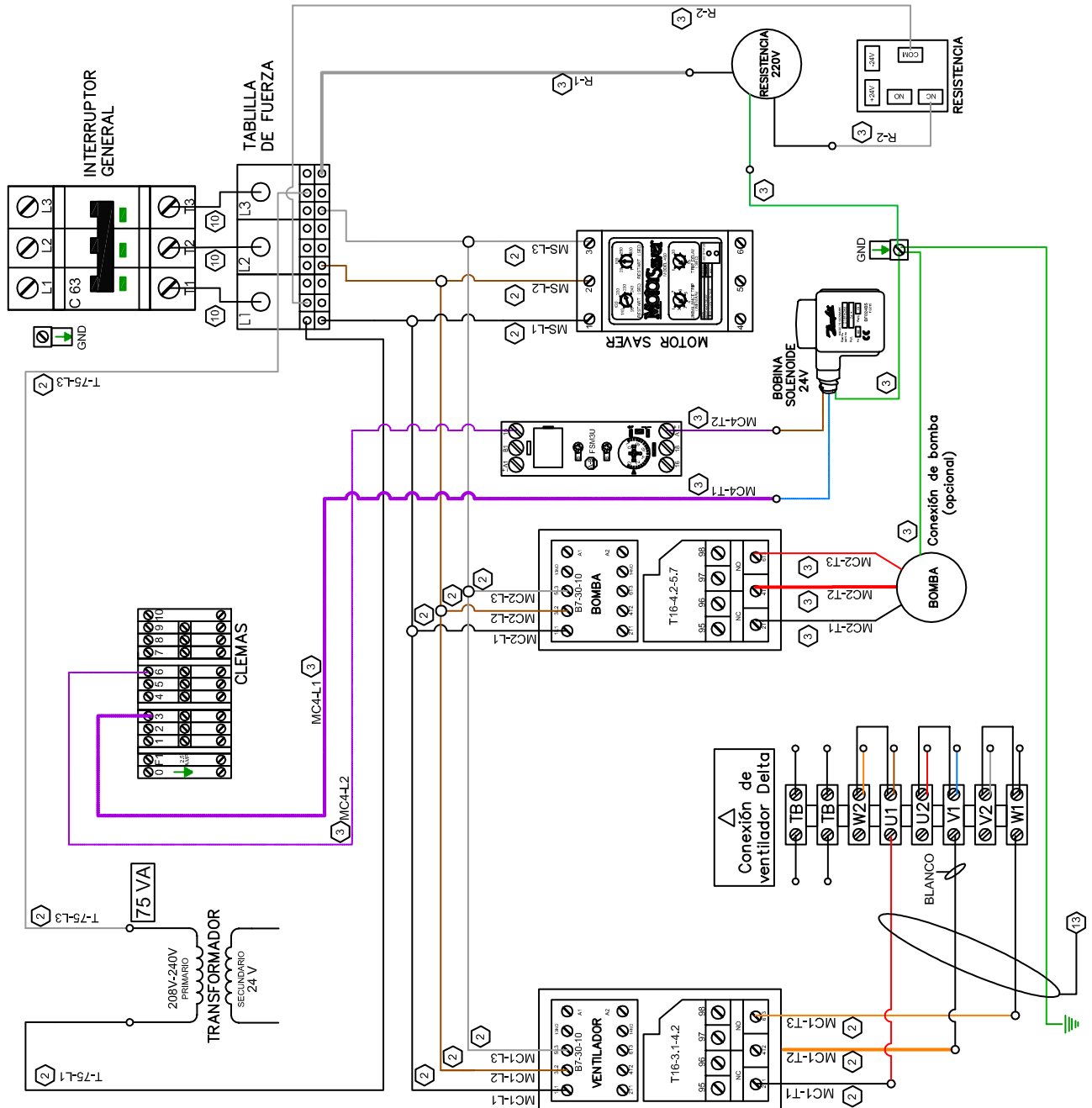
⚠ ADVERTENCIA ⚠

Electric shock danger. Improper handling of this equipment can cause personal injury or equipment damage. This equipment must be properly grounded. Control panel connections and maintenance should be performed only by personnel knowledgeable in the operation of the equipment being controlled. Disconnect electrical power before servicing equipment. Be sure to install a earth leakage breaker. Failure to install a earth leakage breaker may result in electric shock or fire.

Figure 7. Cold Only Diagram (Master 220v)

# CONCEPTO	
1	SENSOR DE ALTA PRESION
2	START DE VAREADOR PARA COMPRESOR
3	INTERRUPTOR DE FLUJO ULTRASONICO
4	SENSOR DE BAJA PRESION
5	SENSOR DE INYECCION
6	SENSOR RETORNO
7	SENSOR DE CONGELAMIENTO
8	VOLTAJE 0..10VDC PARA VAREADOR
9	SENSOR DE CONDENSADOR
10	SENSOR INYECCION GENERAL(Operand)
11	SENSOR RETORNO GENERAL(Operand)
# TIPO DE COLOR DE CABLE	
12	CABLE COLOR RAYADO
13	CABLE COLOR SOLIDO
# SIMBOLOGIA	
14	SEÑALIZACION COLOR DE CABLE/CALIBRE
15	APAGADOR 1 POLO 1 TIPO
16	REFERENCIA A PUNTO DE CONEXION (L&P)
17	REFERENCIA INTERRUPTOR
18	CONEXION A TIERRA
# ESPECIFICACION DE CALIBRE DE CABLE	
19	CABLE CALIBRE 3 X 8 AWG BLINDADO
20	CABLE CALIBRE 8 AWG
21	CABLE CALIBRE 14 AWG
22	CABLE CALIBRE 16 AWG
23	CABLE CALIBRE 18 AWG
24	CABLE CALIBRE 3 X 18 AWG
25	CABLE CALIBRE 2 X 18 AWG BLINDADO
26	CABLE CALIBRE 2 X 22 AWG
27	CABLE CALIBRE 4 AWG
28	CABLE CALIBRE 2 AWG
29	CABLE CALIBRE 6 AWG
30	CABLE CALIBRE 10 AWG
31	CABLE CALIBRE 3 X 2 AWG BLINDADO
32	CABLE CALIBRE 4 X 14 AWG USO RUDDO (14)
33	CABLE CALIBRE 3 X 16 AWG USO RUDDO (14)
# TIPO DE SEÑAL	
34	ALTO VOLTAJE "CLASE 1"
35	BAJO VOLTAJE "CLASE 2"
36	SEÑAL DE RESISTENCIA
37	SEÑAL DIGITAL
# NOTA	
38	CUALQUIER PUENTE DE CABLE EN CONTROL O FUENTE DEBERA DE IR EN COLOR BLANCO - CALIBRE 16.





ELECTRICAL INFORMATION

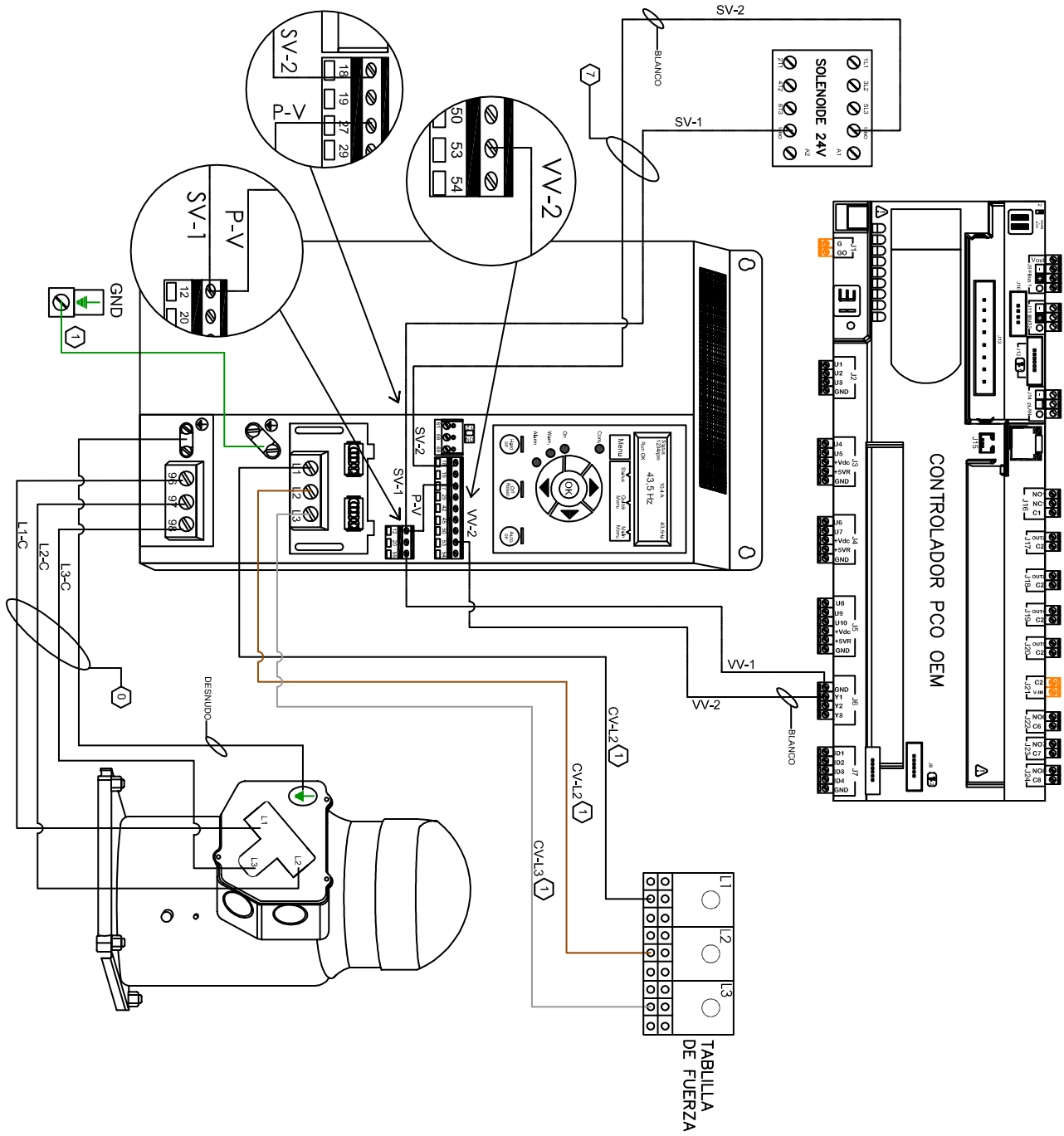
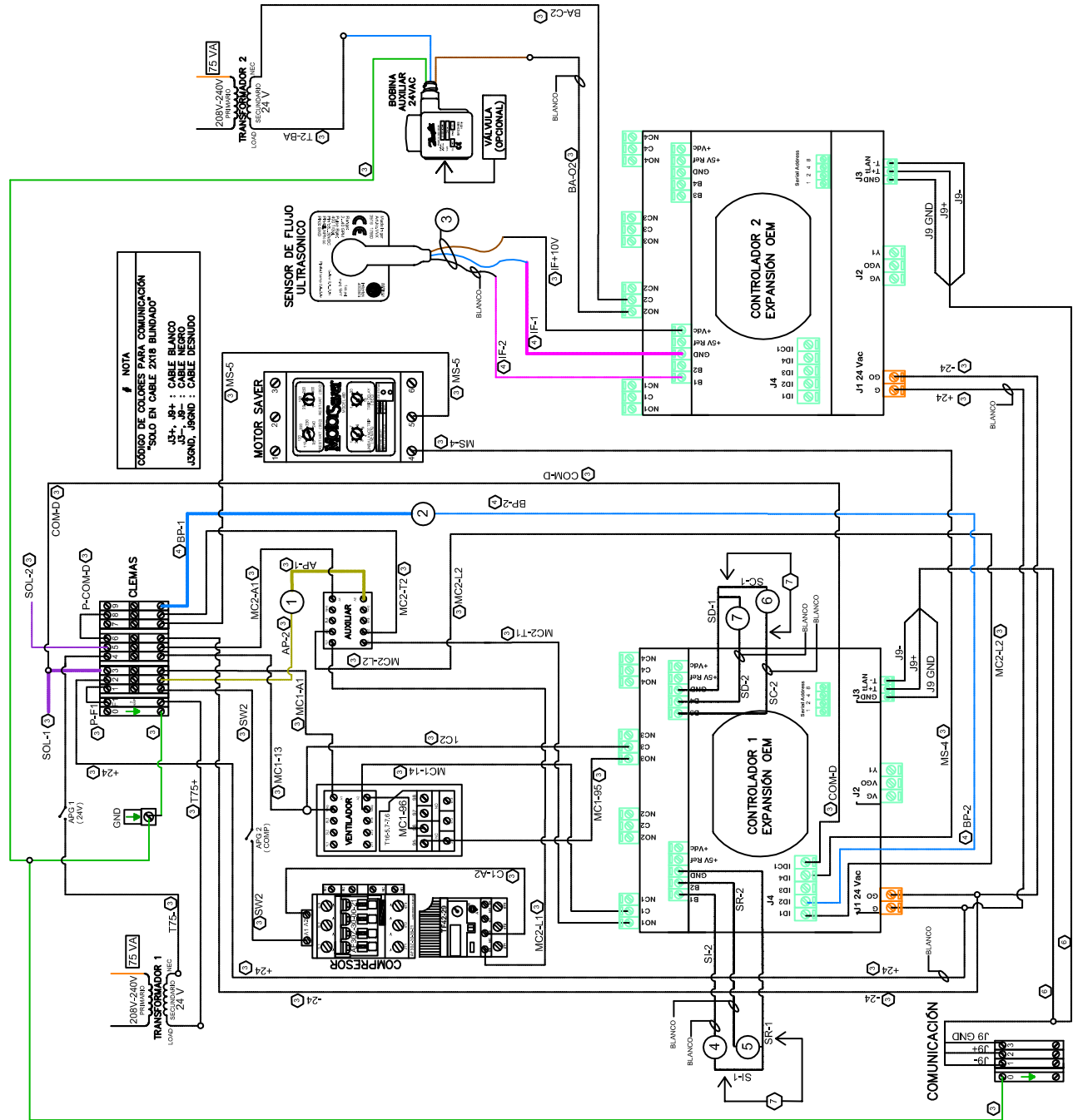


Figure 10. Cold Only Diagram (220v Slave)



REF.	DESCRIPCIÓN	UNIDAD
10000001	10000001	1
10000002	10000002	1
10000003	10000003	1
10000004	10000004	1
10000005	10000005	1
10000006	10000006	1
10000007	10000007	1
10000008	10000008	1
10000009	10000009	1
10000010	10000010	1
10000011	10000011	1
10000012	10000012	1
10000013	10000013	1
10000014	10000014	1
10000015	10000015	1
10000016	10000016	1
10000017	10000017	1
10000018	10000018	1
10000019	10000019	1
10000020	10000020	1
10000021	10000021	1
10000022	10000022	1
10000023	10000023	1
10000024	10000024	1
10000025	10000025	1
10000026	10000026	1
10000027	10000027	1
10000028	10000028	1
10000029	10000029	1
10000030	10000030	1
10000031	10000031	1
10000032	10000032	1
10000033	10000033	1
10000034	10000034	1
10000035	10000035	1
10000036	10000036	1
10000037	10000037	1
10000038	10000038	1
10000039	10000039	1
10000040	10000040	1
10000041	10000041	1
10000042	10000042	1
10000043	10000043	1
10000044	10000044	1
10000045	10000045	1
10000046	10000046	1
10000047	10000047	1
10000048	10000048	1
10000049	10000049	1
10000050	10000050	1
10000051	10000051	1
10000052	10000052	1
10000053	10000053	1
10000054	10000054	1
10000055	10000055	1
10000056	10000056	1
10000057	10000057	1
10000058	10000058	1
10000059	10000059	1
10000060	10000060	1
10000061	10000061	1
10000062	10000062	1
10000063	10000063	1
10000064	10000064	1
10000065	10000065	1
10000066	10000066	1
10000067	10000067	1
10000068	10000068	1
10000069	10000069	1
10000070	10000070	1
10000071	10000071	1
10000072	10000072	1
10000073	10000073	1
10000074	10000074	1
10000075	10000075	1
10000076	10000076	1
10000077	10000077	1
10000078	10000078	1
10000079	10000079	1
10000080	10000080	1
10000081	10000081	1
10000082	10000082	1
10000083	10000083	1
10000084	10000084	1
10000085	10000085	1
10000086	10000086	1
10000087	10000087	1
10000088	10000088	1
10000089	10000089	1
10000090	10000090	1
10000091	10000091	1
10000092	10000092	1
10000093	10000093	1
10000094	10000094	1
10000095	10000095	1
10000096	10000096	1
10000097	10000097	1
10000098	10000098	1
10000099	10000099	1
10000100	10000100	1

#	CONCEPTO
1	SENSOR DE ALTA PRESIÓN
2	SENSOR DE BAJA PRESIÓN
3	INTERRUPTOR DE FLUJO ULTRASONICO
4	SENSOR DE INYECCIÓN
5	SENSOR RETORNO
6	SENSOR DE CONGELAMIENTO
7	SENSOR DE CONDENSADOR
8	TIPO DE COLOR DE CABLE
9	CABLE COLOR RAYADO
10	CABLE COLOR SÓLIDO
11	SIMBOLOGÍA
12	SEÑALIZACIÓN COLOR DE CABLE/CALIBRE
13	APAGADOR 1 POLO 1 TIPO
14	REFERENCIA A PUNTO DE CONEXIÓN
15	REFERENCIA INTERRUPTOR
16	CONEXIÓN A TIERRA
17	ESPECIFICACIÓN DE CALIBRE DE CABLE
18	CABLE CALIBRE 3 X 8 AWG BLINDADO
19	CABLE CALIBRE 8 AWG
20	CABLE CALIBRE 14 AWG
21	CABLE CALIBRE 18 AWG
22	CABLE CALIBRE 3 X 18 AWG
23	CABLE CALIBRE 2 X 18 AWG BLINDADO
24	CABLE CALIBRE 2 X 22 AWG
25	CABLE CALIBRE 4 AWG
26	CABLE CALIBRE 2 AWG
27	CABLE CALIBRE 6 AWG
28	CABLE CALIBRE 10 AWG
29	CABLE CALIBRE 3 X 2 AWG BLINDADO
30	CABLE CALIBRE 4 X 14 AWG USO RUIDO
31	CABLE CALIBRE 3 X 16 AWG USO RUIDO
32	TIPO DE SEÑAL
33	ALTO VOLTAJE "CLASE 1"
34	BAJO VOLTAJE "CLASE 2"
35	SEÑAL DE RESISTENCIA
36	SEÑAL DIGITAL
37	NOTA
38	CUALQUIER PUENTE DE CABLE EN CONTROL O FUERZA, DEBERÁ DE IR EN COLOR BLANCO - CALIBRE 16.

ELECTRICAL INFORMATION

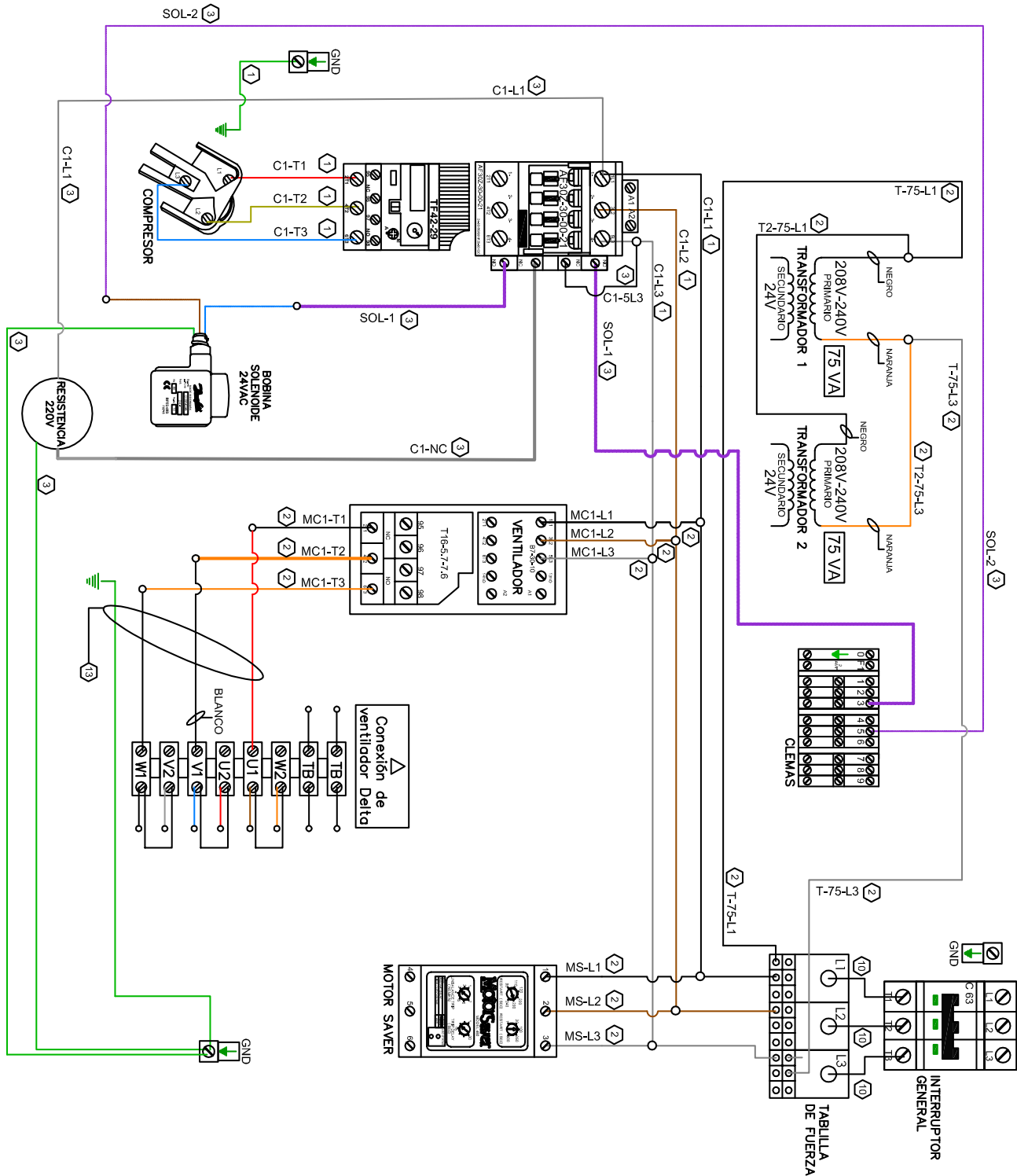
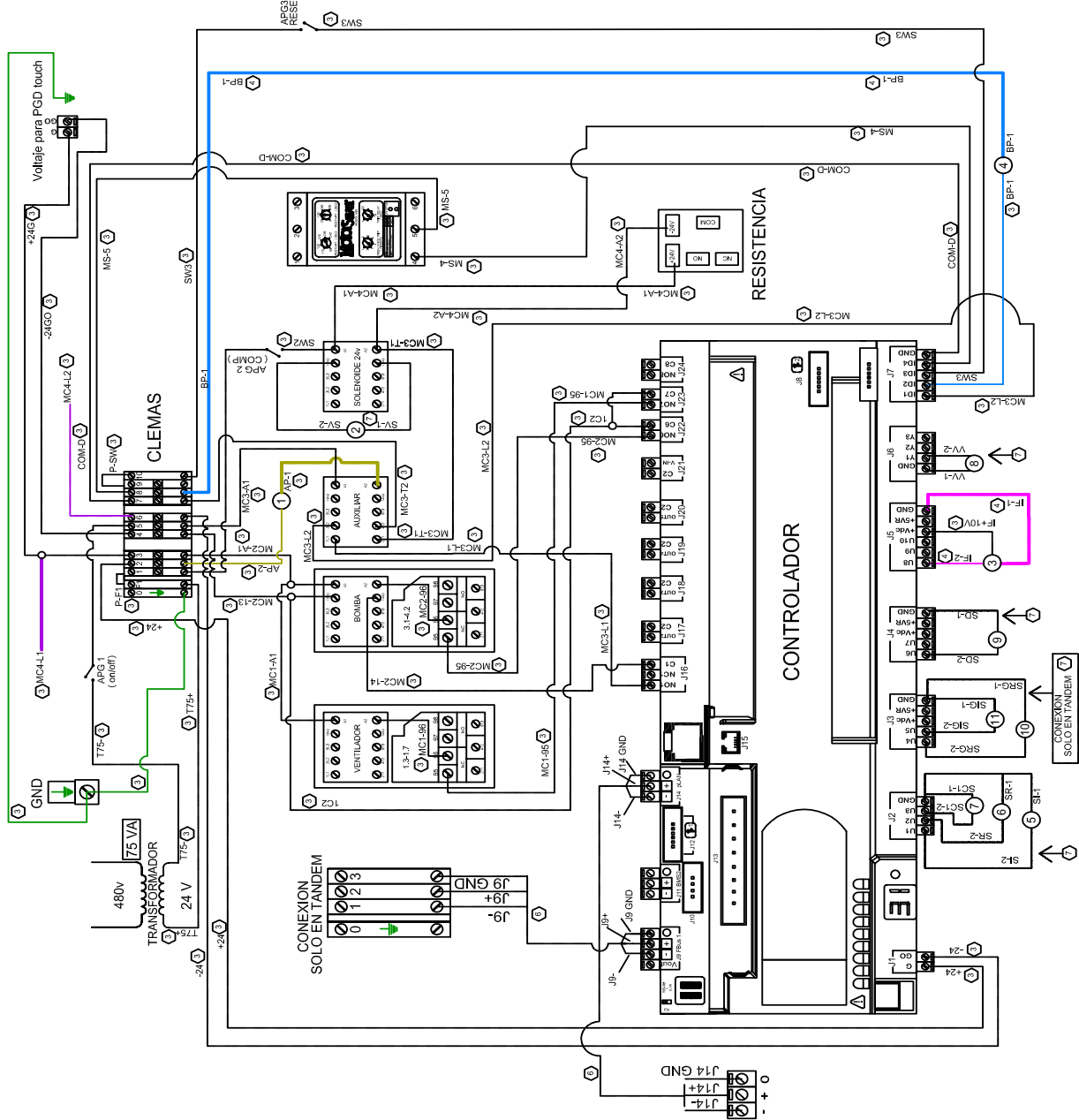


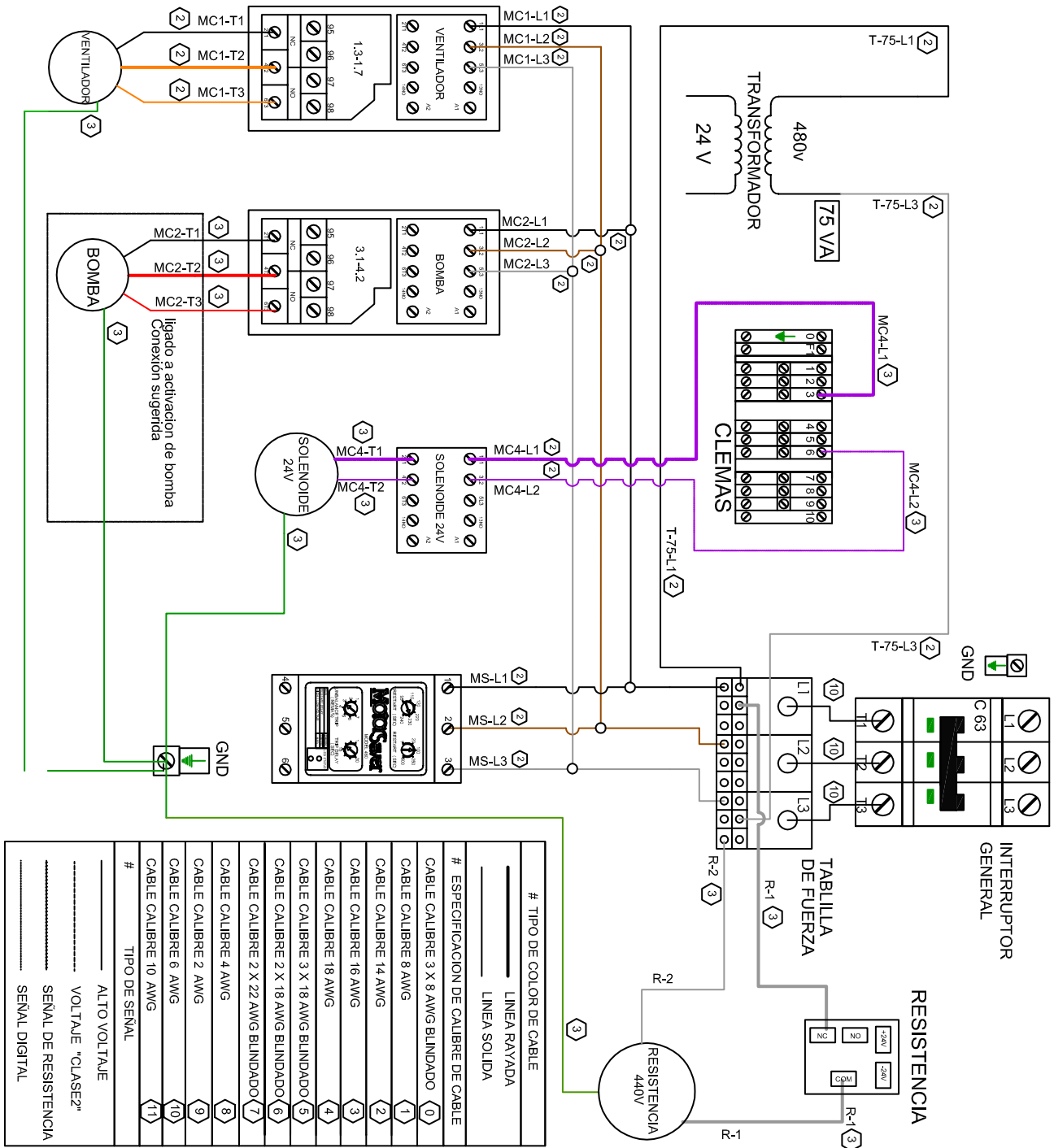
Figure 11. Cold Only Diagram (Master 440v)



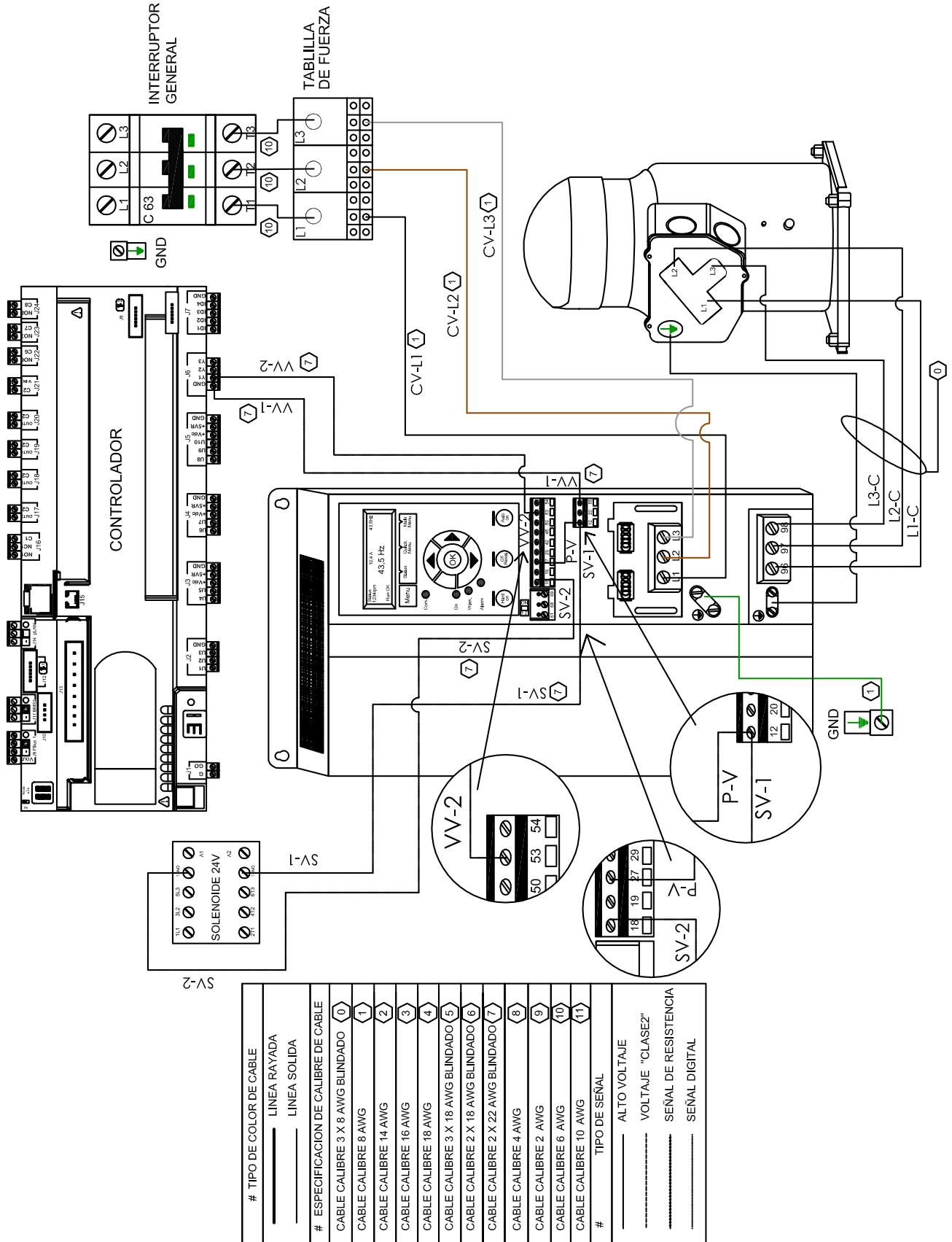
(cable beiden 2x18 awg)
Communication con PGD touch

SIMBOLGIA	CONCEPTO
1	SENSOR DE ALTA PRESION
2	START DRIVE COMPRESOR
3	SENSOR DE FLUJO
4	SENSOR DE BAJA PRESION
5	SENSOR DE INYECCION
6	SENSOR RETORNO
7	SENSOR DE CONGELAMIENTO
8	VOLTAJE DE CONTROL
9	SENSOR SD
10	SENSOR INYECCION GENERAL (opcional)
11	SENSOR RETORNO GENERAL (opcional)
# TIPO DE COLOR DE CABLE	
—	LINEA RAYADA
—	LINEA SOLIDA
# ESPECIFICACION DE CALIBRE DE CABLE	
0	CABLE CALIBRE 3 X 8 AWG BLINDADO
1	CABLE CALIBRE 8 AWG
2	CABLE CALIBRE 14 AWG
3	CABLE CALIBRE 16 AWG
4	CABLE CALIBRE 18 AWG
5	CABLE CALIBRE 3 X 18 AWG BLINDADO
6	CABLE CALIBRE 2 X 18 AWG BLINDADO
7	CABLE CALIBRE 2 X 22 AWG BLINDADO
8	CABLE CALIBRE 4 AWG
9	CABLE CALIBRE 2 AWG
10	CABLE CALIBRE 6 AWG
11	CABLE CALIBRE 10 AWG
# TIPO DE SENAL	
—	ALTO VOLTAJE
—	VOLTAJE "CLASE2"
—	SEÑAL DE RESISTENCIA
—	SEÑAL DIGITAL

ELECTRICAL INFORMATION

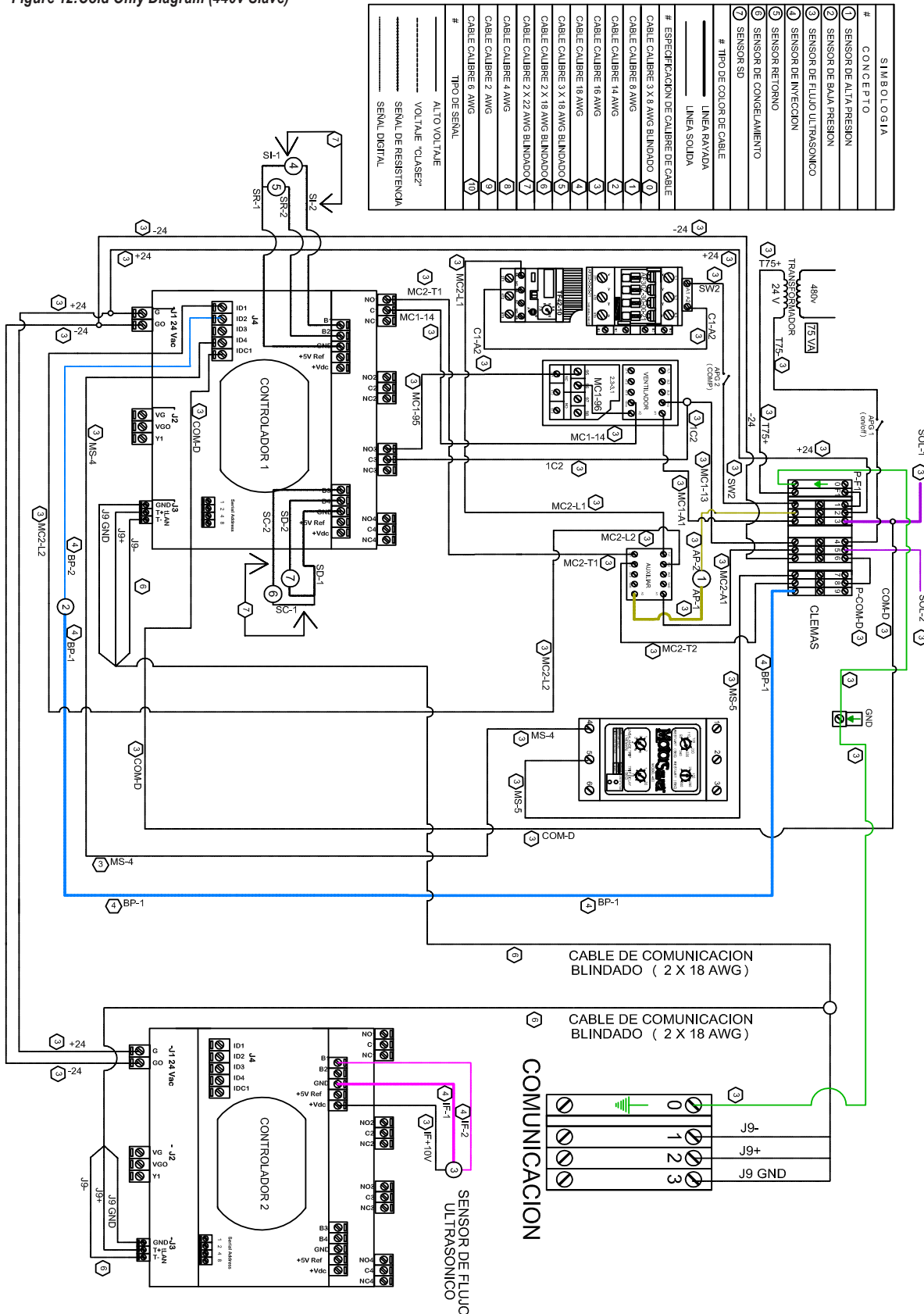


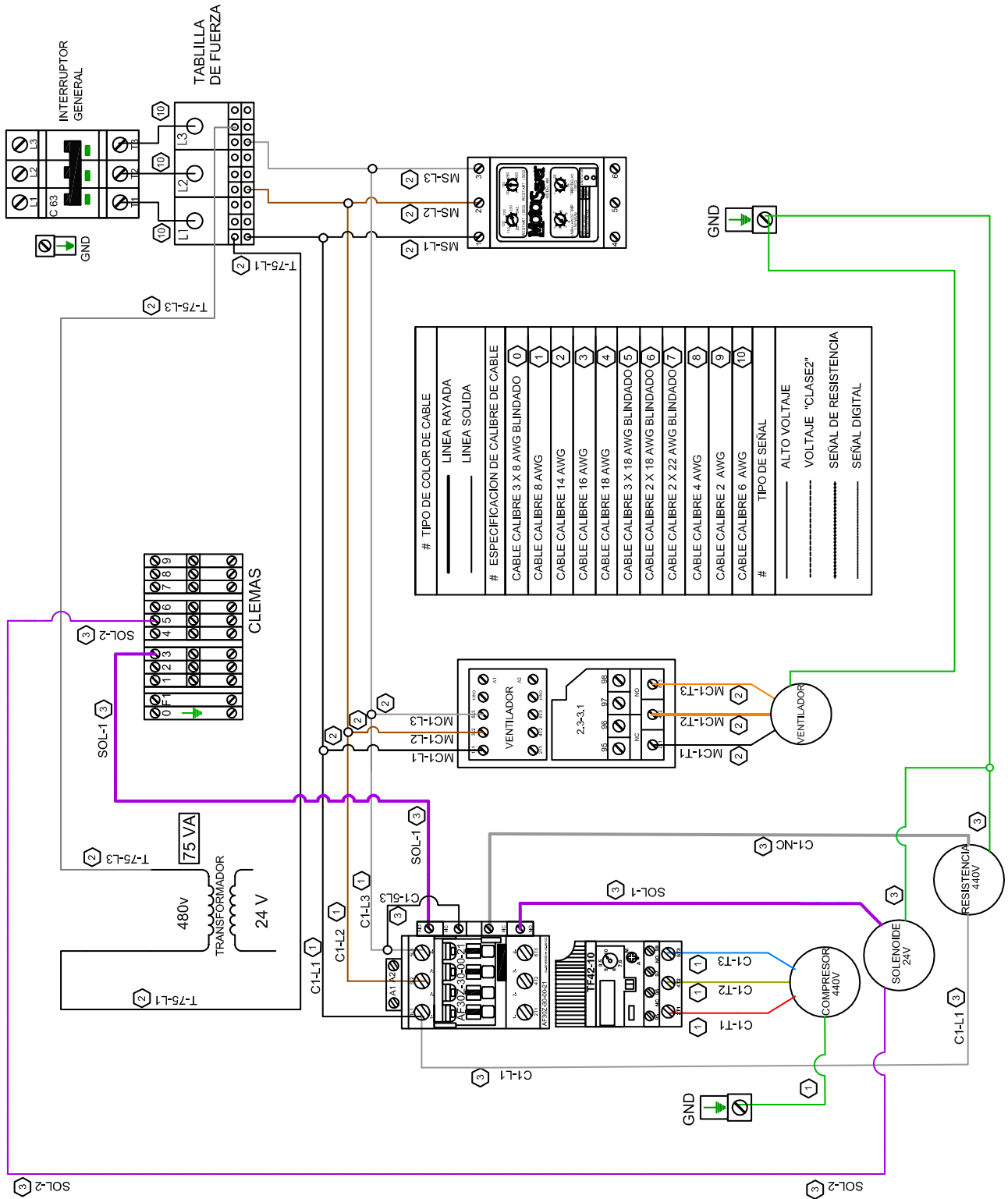
#	TIPO DE COLOR DE CABLE
—	LINEA RAYADA
—	LINEA SOLIDA
#	ESPECIFICACION DE CALIBRE DE CABLE
0	CABLE CALIBRE 3 X 8 AWG BLINDADO
1	CABLE CALIBRE 8 AWG
2	CABLE CALIBRE 14 AWG
3	CABLE CALIBRE 16 AWG
4	CABLE CALIBRE 18 AWG
5	CABLE CALIBRE 3 X 18 AWG BLINDADO
6	CABLE CALIBRE 2 X 18 AWG BLINDADO
7	CABLE CALIBRE 2 X 22 AWG BLINDADO
8	CABLE CALIBRE 4 AWG
9	CABLE CALIBRE 2 AWG
10	CABLE CALIBRE 6 AWG
11	CABLE CALIBRE 10 AWG
#	TIPO DE SEÑAL
—	ALTO VOLTAJE
—	VOLTAJE "CLASE2"
—	SEÑAL DE RESISTENCIA
—	SEÑAL DIGITAL



ELECTRICAL INFORMATION

Figure 12. Cold Only Diagram (440v Slave)





ELECTRICAL INFORMATION

Table 2. Maximum overcurrent protection and Minimum circuit amperage (208-230 / 3 / 60)

# EQ	TR/UN	TR Total	MCA	MOP
1	5	5	45	81
1	7.5	7.5	100	180
1	10	10	101	181
1	12.5	12.5	117	211
2	10	20	152	233
3	10	30	204	285
4	10	40	256	337
5	10	50	308	389
5	12.5	62.5	337	430

Table 3. Maximum overcurrent protection and Minimum circuit amperage (460-3-60)

# EQ	TR/UN	TR Total	MCA	MOP
1	5	5	21	38
1	7.5	7.5	50	90
1	10	10	50	91
1	12.5	12.5	59	105
2	10	20	74	114
3	10	30	97	138
4	10	40	121	161
5	10	50	144	185
5	12.5	62.5	164	211

